



ELECTRONICS, INC.
 44 FARRAND STREET
 BLOOMFIELD, NJ 07003
 (973) 748-5089
<http://www.nteinc.com>

NTE440 Series Hardware Heat Sink

Description:

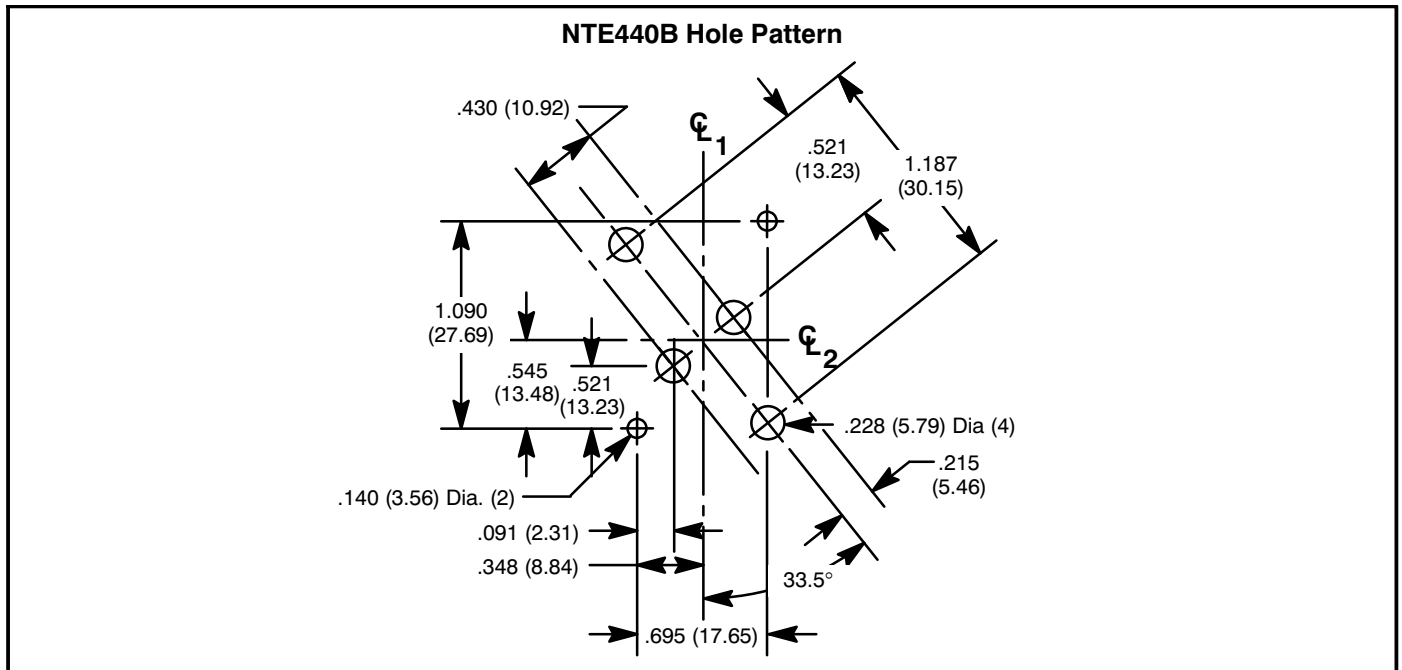
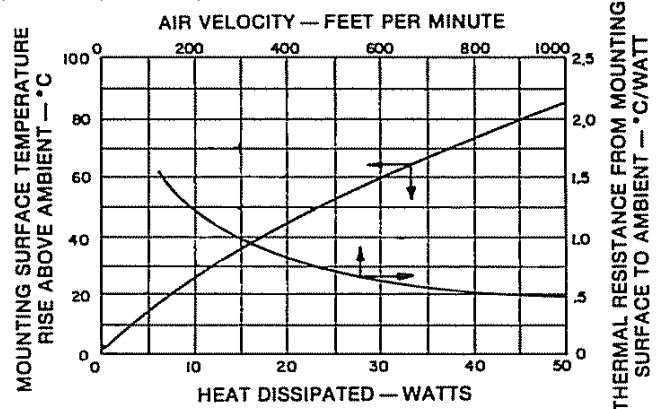
The NTE440 Series extruded power heat sink is made from an aluminum alloy with a black anodized finish designed for medium power levels and is excellent for both natural and forced convection applications.

Features:

- Popular Design Available in 3 Types:
 - NTE440A: Undrilled
 - NTE440B: Drilled Mounting Surface for TO3, TO48, TO66, TO126, TO127, TO220, DO5
 - NTE440C: Drilled Mounting Surface for TO3, TO36, TO64, DO4

Specifications:

Finish Black Anodize
 Material Aluminum Alloy
 Thermal Resistance (Note 1) 1.80
 Note 1. Thermal resistance value is based on a +75°C rise in natural convection.



NTE440C Hole Pattern

