

NTE1312 Integrated Circuit Vertical OSC, Amp

Description:

The NTE1312 is a silicon monolithic integrated circuit in a 14-Lead DIP type package designed for use in TV vertical oscillator, sync circuits. It includes a vertical oscillator, vertical trigger and comparator amplifier.

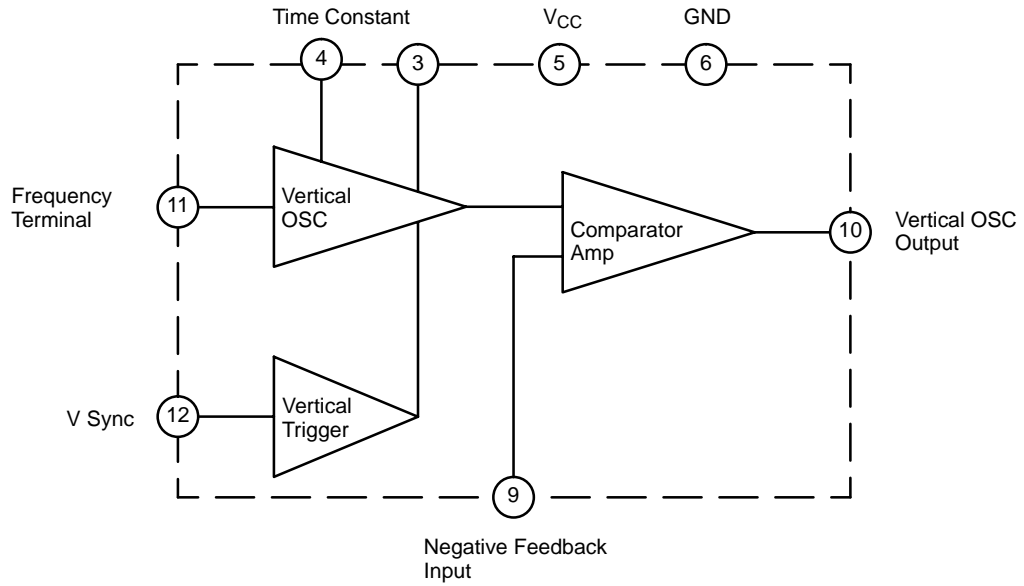
Absolute Maximum Ratings: ($T_A = +25^\circ\text{C}$ unless otherwise specified)

Supply Voltage, V_{CC} 20V
 Vertical Sync Input Voltage, $V_{(\text{Sync})}$ $3V_{p-p}$
 Operating Temperature, T_{stg} -50°C to $+125^\circ\text{C}$
 Power Dissipation, P_D 0.58W

Electrical Characteristics: ($T_A = +25^\circ\text{C}$, $V_{CC} = 12\text{V}$ unless otherwise specified)

Characteristics	Symbol	Conditions	Min	Typ	Max	Unit
Circuit Current	I_D		9.25	12.5	15.25	mA
Vertical Free Run Frequency	f_1		56.0	58.5	61.0	Hz
Vertical Free Run Frequency (Upper Limit)	f_2		70.0	74.0	78.5	Hz
Vertical Free Run Frequency (Lower Limit)	f_3		46.5	49.0	51.5	Hz
Vertical Pull-in-Frequency	f_4		–	49.0	51.5	Hz
Vertical Output Amplitude	V_{O1}		2.95	3.05	3.20	V_{p-p}
Vertical Output Bias	V_{O2}		2.90	3.00	3.15	V
Supply Voltage Characteristics (V-Oscillator)	Δf_1	Difference Between Frequency of $V_{CC} = 8\text{V}$ & 16V		0.7	1.5	Hz

Block Diagram



Pin Connection Diagram

